

Miniature Pulse Valves

A Normally-Open 3-way valve that closes shortly after being pressurized and remains closed until supply pressure is exhausted and repressurized. Widely used in control circuits.



Medium: Air

Input Pressure: 40 to 150 psig/20 bar max.

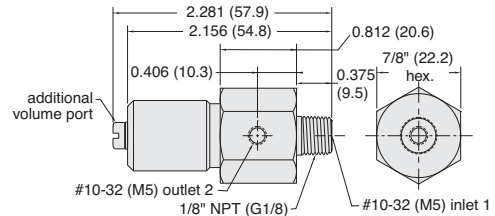
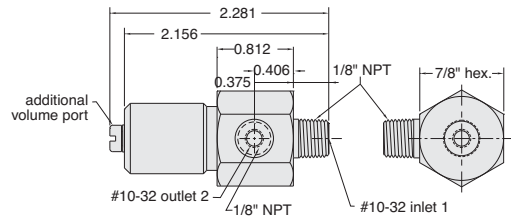
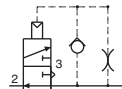
Mounting: 1/8" NPT (G1/8) thread; nut furnished

Volume Chamber: #10-32 (M5)

Operation: Converts a continuous supply of inlet air into a pulse of approximately 100 milliseconds

Response: 300 cycles per minute; time delay may be increased by adding standard Clippard volume chambers not to exceed 3 cu. in.

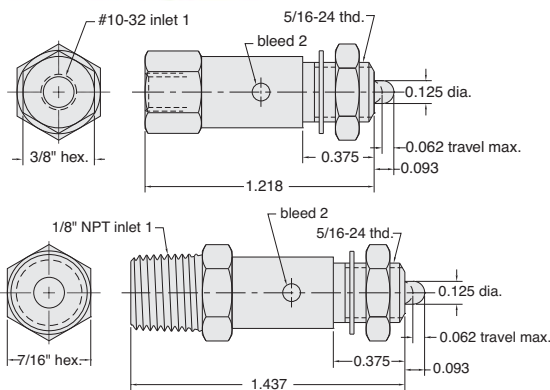
Construction: Body - ENP brass, Seals - Buna-N rubber, Spring - stainless steel, Poppet - Delrin®



Part No.	Description
<u>PV-1</u>	Pulse Valve, #10-32
<u>PV-1-M5</u>	Pulse Valve, M5 Metric
<u>PV-1P</u>	Pulse Valve, 1/8" NPT

Normally-Closed 2-Way Pilot Sensor

For use with pressure piloted control circuits, can repeatedly detect a position within 0.005" properly mounted. In jigs or fixtures it will signal correct position and start-ok to control circuit.



Medium: Air

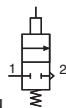
Stem Travel: 1/16" max. (will open and close in as little as 0.005")

Input Pressure: 300 psig max.

Air Flow: 3 scfm @ 50 psig; 6 scfm @ 100 psig

Force For Full Stem Travel: 7 oz. nominal

Mounting: #15/16-24 thread. Nut and lockwashers furnished

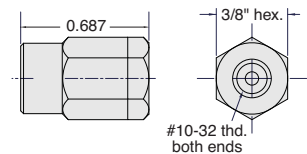


Part No.	Description
<u>MPS-2</u>	Poppet Valve with Pilot Sensor, #10-32
<u>MPS-2P</u>	Poppet Valve with Pilot Sensor, 1/8" NPT

In-Line Fixed Orifice Air Chokes



Each choke is calibrated for precise flow



Medium: Air

Material: Brass

Working Range: 0 to 300 psig max.

Part No.	Description
<u>MAC-A</u>	Air Choke, 0.0135" Hole, Yellow Disk
<u>MAC-B</u>	Air Choke, 0.010" Hole, Green Disk
<u>MAC-C</u>	Air Choke, 0.0075" Hole, Blue Disk
<u>MAC-D</u>	Air Choke, 0.006" Hole, Red Disk

Additional Valve Specifications

Materials: Brass body, Buna-N seals, stainless steel stem and spring

Temperature Range: 32 to 230°F (0 to 110°C)

Options: Consult the factory concerning the price and availability of the following standard options:

- ENP** - Electroless Nickel Plating
- M5** - M5 x 0.8 threaded ports
- MG** - G1/8 ports
- E** - EPDM Seals
- V** - Viton Seals